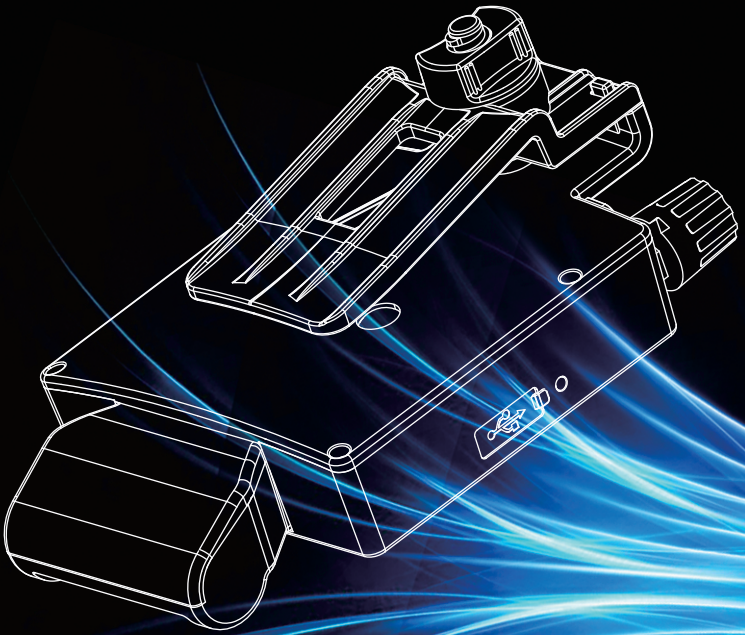


TECHNIWELDUSA

ARMOUR GUARD

HOTHEAD 2.0

HELMET VENTILATION AND COOLING SYSTEM



HOTHEAD2.0 OWNER'S MANUAL



Protect yourself and others from injury — read, and follow any safety precautions and operating instructions included with your welding helmet. HOTHEAD2.0 **IS NOT** intended to replace standard safety equipment.

SAFETY STANDARDS

Safety in Welding, Cutting, and Allied Processes, ANSI Standard Z49.1, is available as a free download from the American Welding Society at <http://www.aws.org> or purchased from Global Engineering Documents (phone: 1-877-413-5184, website: www.global.ihs.com). Safe Practice For Occupational And Educational Eye And Face Protection, ANSI Standard Z87.1, from American National Standards Institute, 25 West 43rd Street, New York, NY 10036(phone: 212-642-4900, website: www.ansi.org).



ABOUT YOUR HOTHEAD2.0

WELCOME TO YOUR HOTHEAD2.0 HELMET SYSTEM

Here are some important facts you need to know:

- Helmets are made to provide a greater level of safety in hazardous conditions. All safety standards and operating instructions take precedence over the use of the HOTHEAD2.0 Helmet System. **DO NOT** depend on HOTHEAD2.0 for protection from hazardous conditions.
- HOTHEAD2.0 is designed to provide a comfortable and natural environment inside any helmet by bringing a small amount of air into the helmet to be distributed through a bifurcated air system along two paths.
- The Face Stream flows over the faceplate or lens to prevent fogging caused by humidity from breathing, sweating, or working in cold conditions. Air flow is guided away from eyes preventing irritatingly dry eyes.
- The Blocking Stream flows to the top and back of the helmet to remove heat and exhaled carbon dioxide, keeping the temperature as much as 12 degrees cooler than normal.
- HOTHEAD2.0 creates air dams to prevent noxious fumes from entering the helmet. As much as 90% reductions in mass of fumes have been reported.
- HOTHEAD2.0 is a personal environmental tool which can be moved from helmet to helmet to stay with the same user.
- HOTHEAD2.0 fits all helmets
- HOTHEAD2.0 uses the latest battery technology, designed for full-workday use, and fully charges in about 1-2 hours.

GETTING STARTED WITH YOUR HOTHEAD2.0 HELMET SYSTEM

STORAGE

The case of your HOTHEAD2.0 contains the HOTHEAD2.0 and a spare inlet filter. We recommend keeping these items in the case with your HOTHEAD2.0 when not in use or being charged.

FIRST CHARGE

HOTHEAD2.0 will arrive with the battery partially charged. The charge will allow you to test the unit, feel the benefits from its use, and adjust it to your helmet.

CHARGING THE BATTERY

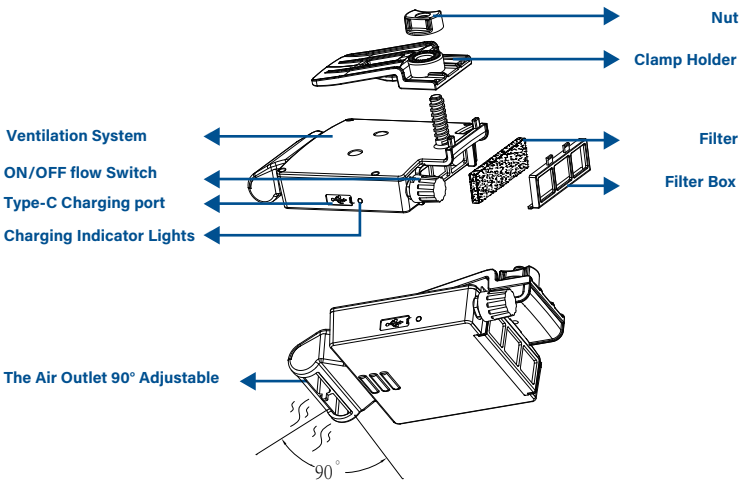
While an occasional partial charge is not likely to shorten the battery life, it is recommended that the normal full-charging process be followed.

- Plug the charger into the side of HOTHEAD2.0. The Amber Light indicates charging is in process.
- When fully charged, the Green Light will indicate the charge is complete.

CHANGING THE FILTER

In order to make the air as clean and fresh as possible, a filter has been provided at the inlet port. The filter is washable and can be washed repeatedly. Eventually it will lose its effectiveness and it should be replaced. A spare filter has been provided with your new HOTHEAD2.0.

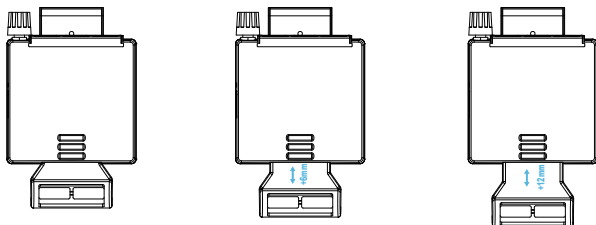
- Change the filter by pulling the old filter from the rear of the HOTHEAD2.0. No tools are required.
- Re-install a cleaned filter or install a new filter by aligning the filter with the filter hole and adjustable mounting clip, gently apply pressure until it's seated.
- To wash the filter, remove it from the HOTHEAD2.0 and wash using warm soapy water. Rinse thoroughly and allow to dry. Replace filter when dry.
- **Do not attempt to use the HOTHEAD2.0 without a filter.**



DIRECTIONS FOR SETTING UP AND ADJUSTING THE HOTHEAD2.0

The HOTHEAD2.0 have 3 positioning adjustment for setup.

Please see:



- To adjust the HOTHEAD2.0 simply move the mounting clip to position the front of the HOTHEAD2.0 as close as possible to the lens or facemask of the helmet. (see Diagram). It's possible the rear of the HOTHEAD2.0 may extend beyond the rear of the head gear.
- Convenient slots on the top surface of the HOTHEAD2.0 are provided for easy readjustment. Once you've found the correct slot, use that each time it's installed in the same headgear.
- The only control on the HOTHEAD2.0 is the ON/OFF Switch.

SPECIFICATION

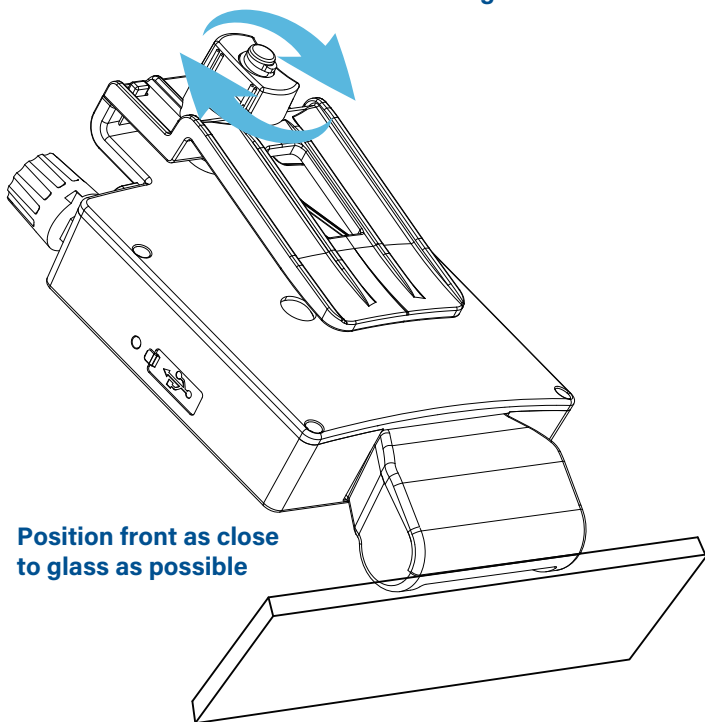
Item Name:	AGHOTHEAD2.0
Size:	5.27 x 3.35 x 2.28 in
Filter cotton size:	2.32 x 0.71 x 0.19 in
Air Outlet Angle Adjustment:	90 °
Air Distance Adjustment:	3, each adjustment distance of 0.25 in
The adjustment range of assembly clamp:	1 - 0.4 in
Maximum air volume use time:	3.5 H
Minimum air volume usage time:	7.0 H
Air Volume Regulation:	continuous regulation
Maximum air flow:	120L/min
Minimum air flow:	60L/min
Battery charge time:	1 - 2 hours
Charging interface:	TYPE-C (USB charging cable included)
Charge indication:	red light indication is charging, green light indication battery is full
Charger requirements:	output voltage 5V output current > = 1a
Weight:	0.33 lbs

WARRANTY

HOTHEAD2.0 is warrantied for one (1) year from date of purchase against manufacturing defects found during intended usage (see Warranty).

ADJUSTMENT DIAGRAM

Adjust mounting clip
to fit welding helmet



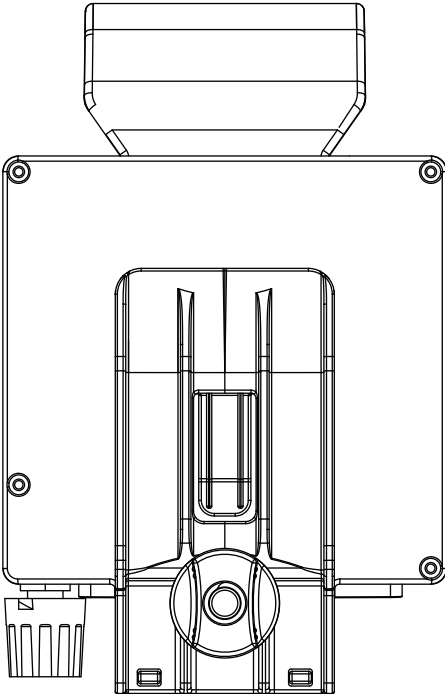
Position front as close
to glass as possible

TECHNIWELDUSA

ARMOUR GUARD

HOTHEAD 2.0

HELMET VENTILATION AND COOLING SYSTEM



TECHNIWELDUSA

ARMOUR GUARD™ is a brand of Techniweld USA
Atlanta, GA • (800) 445-2152 • TWUSA.COM • Made in China